

**GT- 3.0**

**Installation Manual**



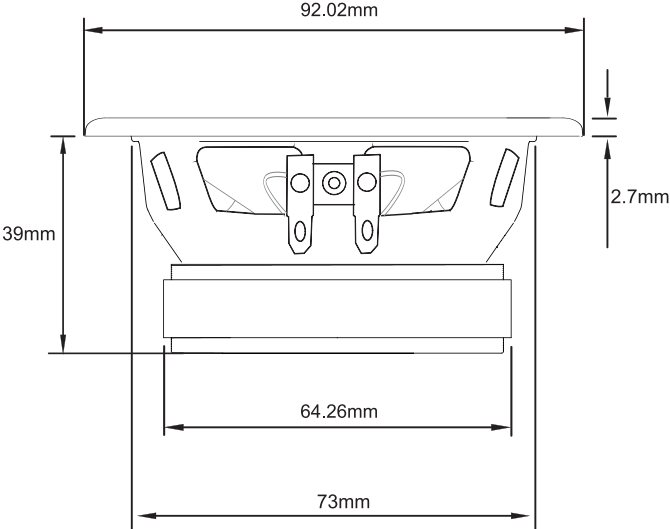
**Installation dimensions**

**Product Parameters**



# Installation dimensions

---



## Product Parameters

---

3' Midrange

Impedance: 3  $\Omega$

Rem Power: 30W

Max Power: 50W

Sensitivity: 88dB

Frequency response: 123Hz~12.5kHz

**GERSTART** is a trademark of Gerstart Audio.

© 2025 Gerstart Audio All Rights Reserved.

地址:广州市天河区中成北路8号酷车城D1栋(二楼)203室

电话: 400 183 8680    [www.huishengaudio.com](http://www.huishengaudio.com)

